

# European design, brilliantly engineered. Stratos room sealed gas heaters.

**STIEBEL ELTRON**

Technik zum Wohlfühlen

› STRATOS 3.0 | STRATOS 5.0 | STRATOS 7.0 | STRATOS 9.0

- › European styling
- › Up to 4.6 energy star rating
- › Greater comfort through uniform heating
- › Zero indoor emissions – optimal indoor air quality through room sealed design



STRATOS 3.0 PICTURED

# Quality doesn't happen by chance. It's a matter of design.

Since 1924, STIEBEL ELTRON has been associated with innovative solutions to offer greater comfort and convenience. For nine decades we have focussed on developing high quality products that are technically efficient and reliable. Our aim is to provide our customers with improved comfort to suit their lifestyle.

It is this passion for enhancing our customer's day to day lives through innovative room heating, water heating, ventilation and home comfort solutions, that has seen STIEBEL ELTRON expand from its humble beginnings in Germany to be represented in over 120 countries worldwide.

Our reputation for innovation, high quality and engineering excellence drives us to continue to develop new technologically advanced products for greater comfort and convenience, so you will always feel comfortable with your decision in favour of the high quality products and solutions from STIEBEL ELTRON.



# European styling. Clean lines for a contemporary look.

Designed to complement a wide range of decors, the modern European styling of the Stratos gas room heaters looks great but also provides high efficiency heating and a comfortable uniform heat.

The Stratos series room heaters by STIEBEL ELTRON are designed to complement any home with its clean lines and modern appearance. The timeless European styling incorporates functional design with a high level of efficiency to perfectly fit in with a large range of decors.

The Stratos range has the flexibility of four sizes to suit a wide range of rooms. The slim line design has the flexibility of wall or floor mounting for even more versatility. The STIEBEL ELTRON Stratos is the perfect room sealed gas heating solution for your home.



Easy to use ON/OFF function with rotary dial temperature setting



Humidifier tray for an even greater level of comfort



Wireless programmable climate controller with timer (optional accessory)

## Benefits for your home

- › European styling with a clean modern design
- › Up to 4.6 energy star rating
- › Greater comfort through uniform air heating
- › Room sealed design delivers optimal indoor air quality
- › Humidifier tray offers an even greater level of comfort
- › Compact design
- › Quiet operation
- › Flexibility of wall or floor supported mounting
- › Wireless programmable climate controller with timer (optional accessory)
- › 10 Year pro rata heat exchanger domestic warranty and 2 year full parts and labour domestic warranty<sup>^</sup>
- › Floor mounting kit also available (optional accessory)

Stratos 3.0 room heater



# Energy efficient room heater with greater comfort levels.

## Energy efficient and greater comfort

The STIEBEL ELTRON Stratos room sealed gas heaters are designed to provide greater levels of comfort through efficient uniform heating emitted from the base of the system. Heating from base of the Stratos series helps avoid stratification of the air and improves overall heating comfort.

With rising energy prices, more and more families every day are looking to reduce energy use and install products that are more energy efficient. When looking for a room heater it is worthwhile considering the energy star ratings, the size of the room that needs to be heated and of course the aesthetics of the heater and how this fits in with your decor.

## What do the energy star ratings mean?

The Stratos series has an energy efficient operation with an energy star efficiency rating of up to 4.6 stars. Energy star ratings are determined independently, and provides an easy way to evaluate the efficiency of the heater. The higher the efficiency star rating the more efficient the heater is and provides the reassurance of not only efficient operation, but can help you save money on running costs.



“energy efficient operation with an energy star efficiency rating of up to 4.6 stars”

## Comfort all year round, even in summer

The STIEBEL ELTRON wireless climate controller (optional accessory) is a great addition to your Stratos room heater. Designed to be either wall mounted or placed on its own stand the wireless remote offers the flexibility of heating programs and a summer ventilation setting. The remote has an in built thermostat that helps to deliver greater comfort through sensing temperature within the room at human height and maintains the room temperature to 1°Celsius.

A clever feature of the wireless climate controller is the summer ventilation function, which allows the heater to be set to run the fan only (no gas consumption), this delivers an even greater level of comfort during those warmer months.

- › Temperature setting by wireless remote between 5°-35°Celsius
- › 9 preset programs (factory set)
- › 4 personalised programs
- › Push button lock function
- › Summer ventilation function (fan only)

Wireless programmable climate controller with timer (optional accessory)



# Which STIEBEL ELTRON room heater is right for me?

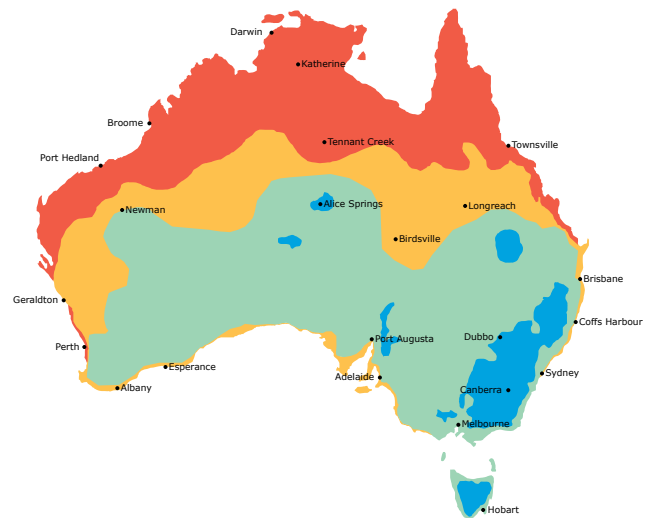
## Which size STIEBEL ELTRON Stratos series room heater is right for me?

Selecting the right heater is important as there are a many options to consider to ensure the heater that is selected will provide the right level of comfort and heat for your room.

The STIEBEL ELTRON Stratos room sealed gas heaters are available in a number of sizes to accommodate a large array of room sizes. There are a number of items to consider that can impact the appropriate selection of the room heater.

For example:

- › Is the room insulated?
- › How high is the roof?
- › Will the room be closed off by doors or have adjacent rooms or hallways leading off it?
- › Are there curtains on the windows?
- › Is it a brick veneer home?
- › Is the room carpeted?



Heats up to m2*	STRATOS 3.0	STRATOS 5.0	STRATOS 7.0	STRATOS 9.0
Very Cold (Eg. Canberra)	23	38	56	64
Cold (Eg. Melbourne   Sydney)	26	45	67	74
Cool (Eg. Adelaide)	36	62	89	99
Mild (Eg. Townsville)	42	70	102	116

\* Heating size will depend on a number of factors including building fabric and insulation properties and should be used as a guide only. Your local STIEBEL ELTRON heating specialist will be able to assist you with selecting the appropriate size room heater to suit your home.



# Technical Data

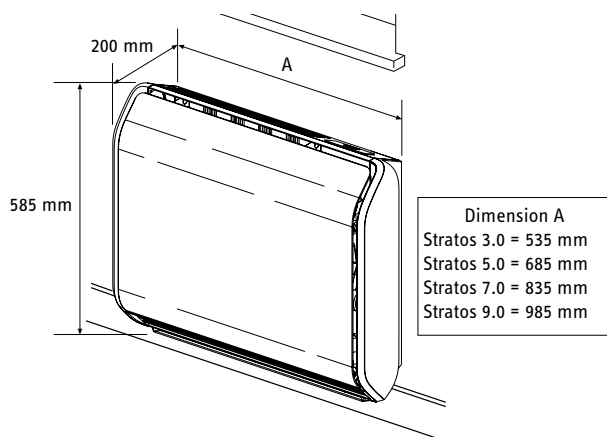


Model number	STRATOS 3.0	STRATOS 5.0	STRATOS 7.0	STRATOS 9.0
Height	585 mm	585 mm	585 mm	585 mm
Depth	200 mm	200 mm	200 mm	200 mm
Width	535 mm	685 mm	835 mm	985 mm
Weight	20.7 kg	27 kg	33 kg	38.7 kg
Colour	White (RAL 9002)			
Efficiency star rating AS4553	4.6	4.3	4.5	4.2
Emissions star rating AS4553	6.0	6.0	6.0	6.0
Gas type	Natural Gas / LPG			
Output kW	2.5	4.4	6.3	7.2
Gas consumption (Natural Gas) MJ/h	10.5	18.5	27.5	32.0
Gas consumption min. (Natural Gas) MJ/h	7.6	13.4	19.7	20.9
Gas consumption (Propane) MJ/h	10.5	18.5	26.0	33.0
Gas consumption min. (Propane) MJ/h	7.5	13.1	18.8	21.1
Protection	IP 20			
Electrical rating	240 V ~ 50			
Plumbing Installation requirements	In accordance with AS5601 and local authority regulations. As per the manufacturers operating and installation guide by an authorised person.			
Wireless climate controller (accessory)	Optional accessory			
Minimum clearance above the unit	100 mm	100 mm	100 mm	100 mm
Minimum clearance (either side)	150 mm	150 mm	150 mm	150 mm
Minimum clearance from floor	85 mm	85 mm	85 mm	85 mm
<b>Warranty (Domestic)</b>				
Heat Exchanger	10 years pro rata <sup>^</sup>			
All other parts	2 years			
Labour	2 years			

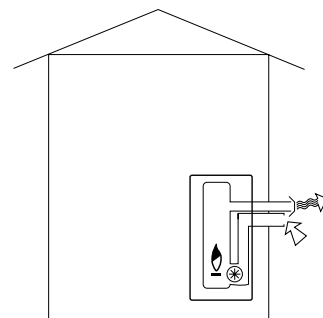
\* Heating size will depend on a number of factors and should be used as a guide only. Your local STIEBEL ELTRON heating specialist will be able to assist you with selecting the appropriate size room heater to suit your home.

<sup>^</sup> Full replacement costs including labour for the first 2 years, reducing 10% per year thereafter. Terms and conditions apply. For full warranty conditions please refer [www.stiebel.com.au](http://www.stiebel.com.au)

## Stratos dimensions



## Rear external flue example



## Rear external flue terminal





# Home comfort, our speciality. A range of solutions for your home.

## **Save energy and money by harnessing naturally occurring energy from the environment to create energy efficient hot water.**

Beat rising energy costs with the STIEBEL ELTRON solar hot water heat pump. The WWK 300A solar hot water heat pump is made in Germany and has been specifically designed for Australian conditions to provide reliable and energy efficient hot water.

The STIEBEL ELTRON WWK 300A Heat Pump captures the heat in the air (thermal energy) and transfers it to the water, making it hot. The heat pump works in a similar way to a refrigerator, but in reverse: it makes the inside (water) hot and the outside (air) cool. This efficient design is one of the most economical ways of creating hot water even when the sun isn't shining. In fact the STIEBEL ELTRON heat pump can create energy efficient hot water at night, in overcast or even in stormy conditions.



## **Waiting a long time for hot water to arrive at your sink or want hot water to an isolated sink like an alfresco area?**

The compact under sink open vented STIEBEL ELTRON SNU water heater provides hot water almost instantly with its close to the point of use installation. The SNU is the ideal solution for a kitchen sink that is situated a long distance away from the central hot water system or for an alfresco area. The unique open vented design of the SNU requires specialised taps from STIEBEL ELTRON. There are four styles of taps available to suit a wide range of decors.



## **Great tasting water at home with the STIEBEL ELTRON Stream ultra-filtration water filter system.**

The Stream from STIEBEL ELTRON filters water to an incredible 0.01 microns providing clean great tasting water everyday. The easy to use system has a simple push and click cartridge replacement mechanism, and is compact in size so it can easily be installed directly underneath a sink. Enjoy great tasting water at home all year round with the STIEBEL ELTRON Stream.



To find out more about any of our products please visit [www.stiebel.com.au](http://www.stiebel.com.au) or call our local, in-house customer service team on 1800 153 351



STIEBEL ELTRON | SINCE 1924

Available at:

STIEBEL ELTRON (AUST) Pty Ltd | ABN 82 066 271 083  
Unit 4/8 Rocklea Drive | Port Melbourne | Victoria 3207  
Free call 1800 153 351 (Australia) | [stiebel.com.au](http://stiebel.com.au)

**STIEBEL ELTRON**

Technik zum Wohlfühlen

STIEBEL ELTRON is committed to our policy of continual improvement, some features may have subsequently been changed or even removed. Our advisors will be happy to consult with you regarding the currently applicable equipment features. The images used in this brochure are for reference only.